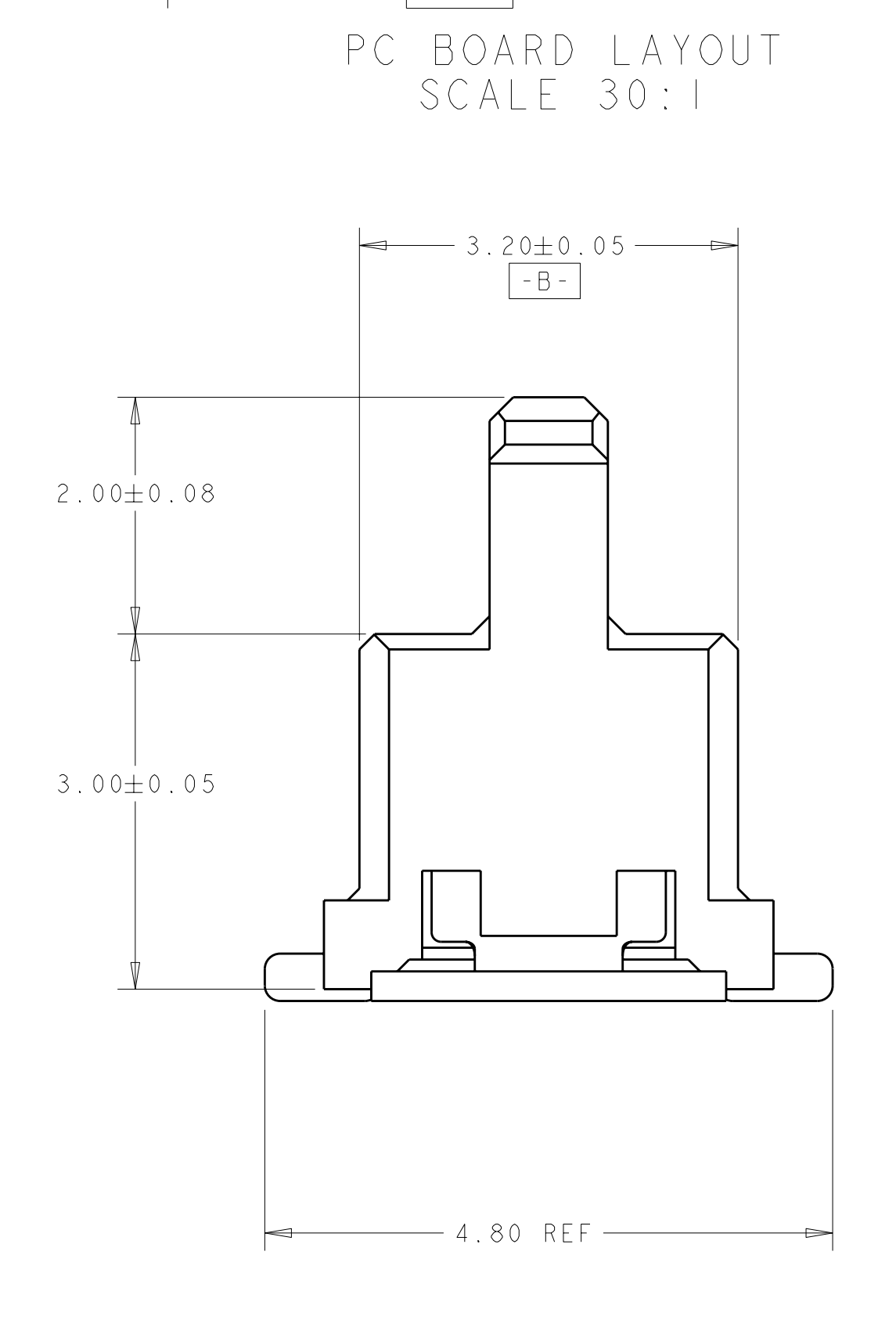
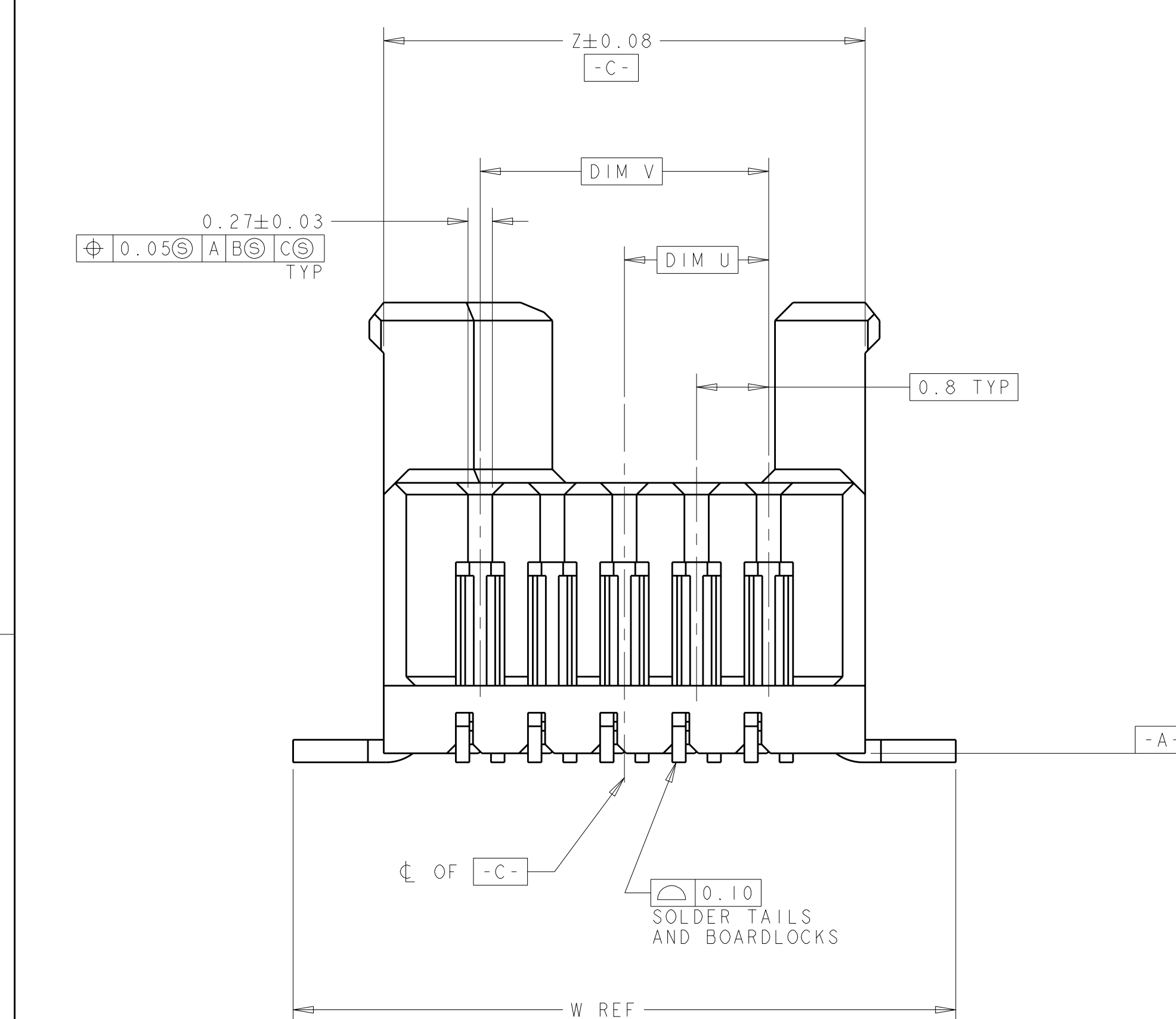
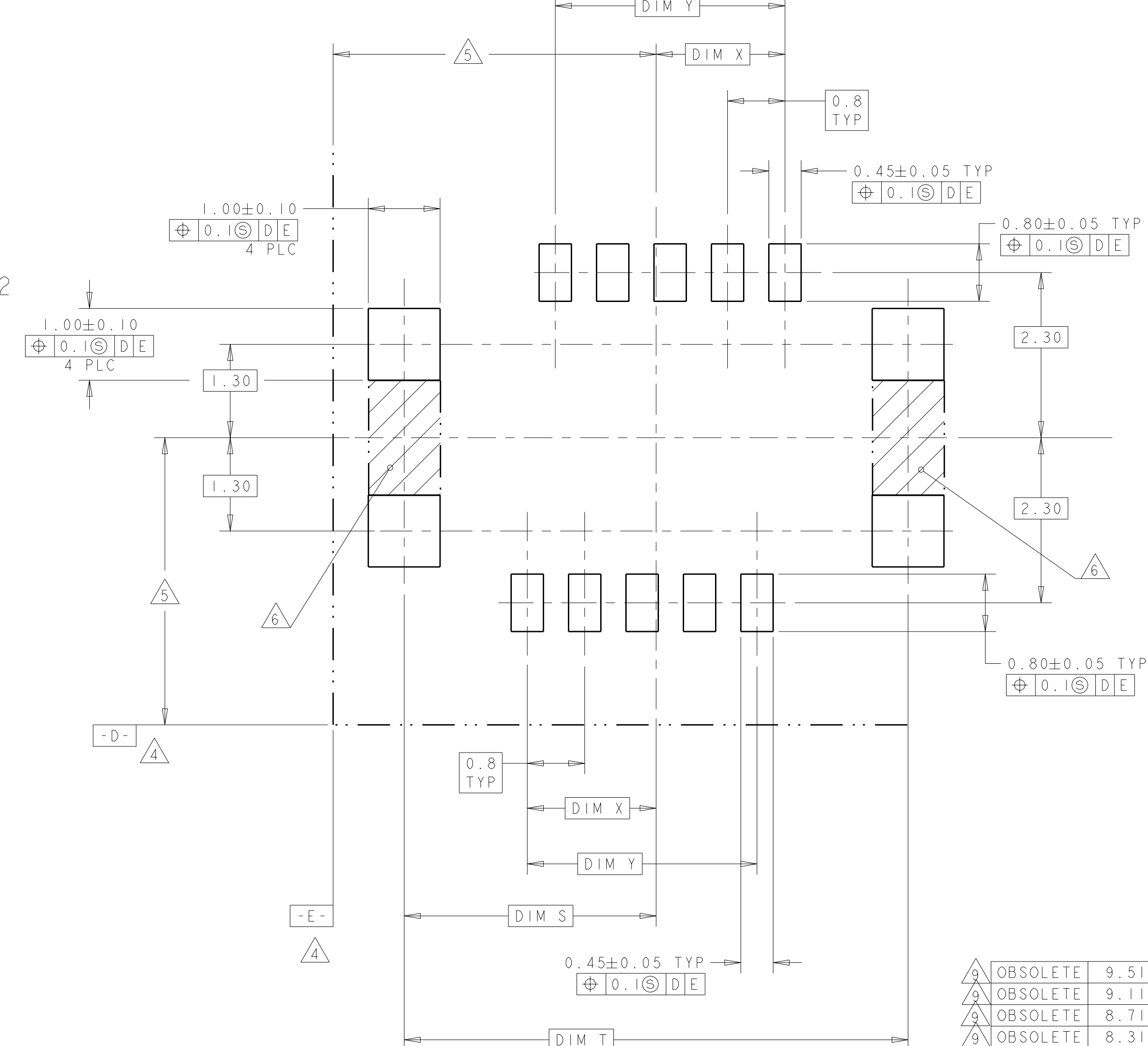
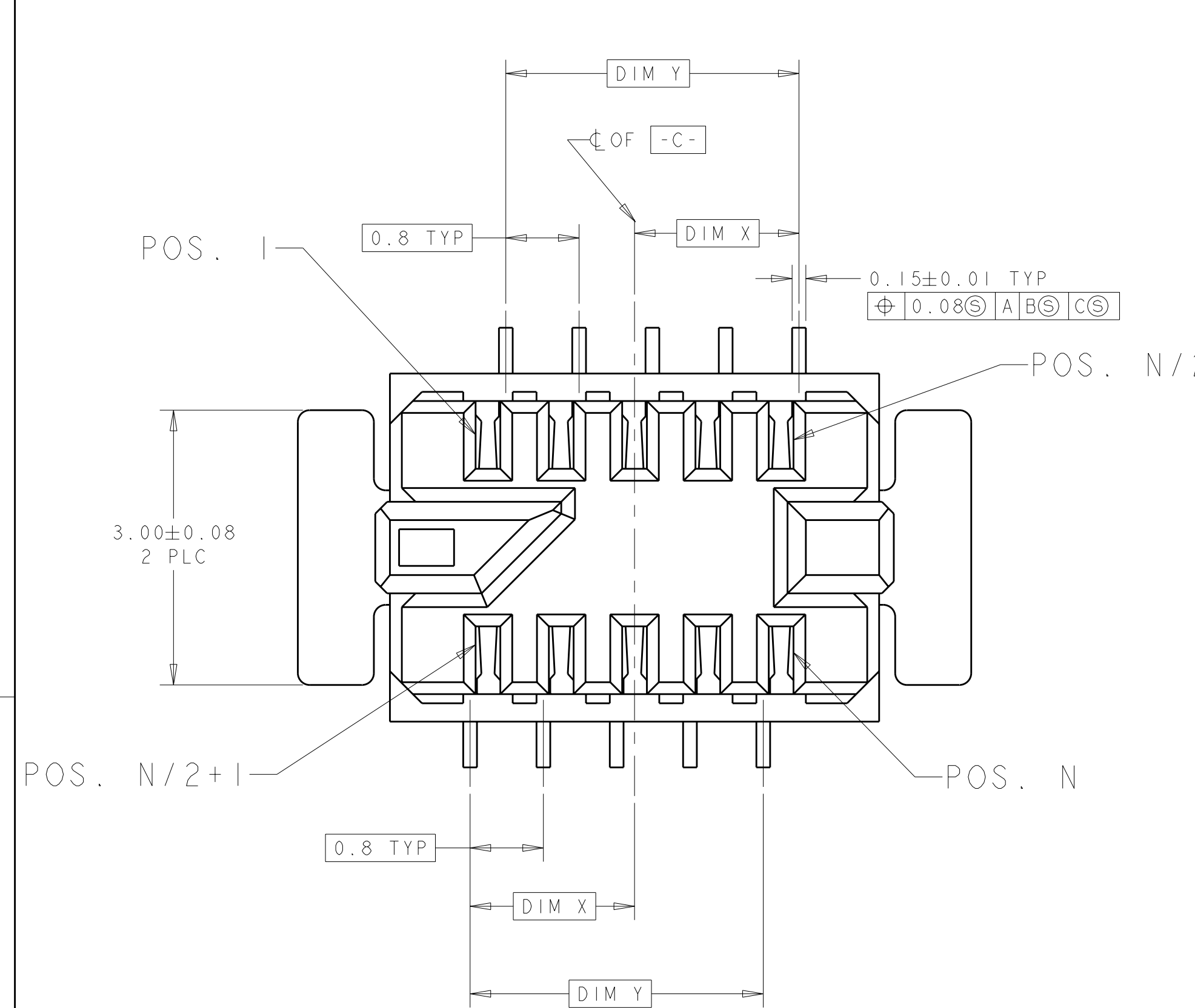


LOC	DIST	REV	DATE	BY	CHK	APPD
AD	00	B2	23MAR2011	RK	HMR	



- △ HOUSING MATERIAL; UL94 V-0 RATED LCP, COLOR: NATURAL. CONTACT MATERIAL; PHOS BRONZE BOARDLOCK MATERIAL; BRASS
- △ CONTACT PLATING; 0.76 μm MIN GOLD IN MATING AREA 0.13 μm - 0.20 μm GOLD IN SOLDER AREA. BOTH OVER 1.27 μm MIN NICKEL ON ENTIRE STOCK.
- △ BOARDLOCK PLATING; 3.8 μm MIN BRIGHT TIN/LEAD ON ENTIRE STOCK OVER 1.27 μm MIN NICKEL ON ENTIRE STOCK.
- △ DATUMS ESTABLISHED BY CUSTOMER.
- △ BASIC DIMENSIONS ESTABLISHED BY CUSTOMER.
- △ NO TRACES ON EXTERNAL BOARD LAYER IN THIS AREA.
- △ BOARDLOCK PLATING; 3.8 μm MIN TIN ON ENTIRE STOCK OVER 1.27 μm MIN NICKEL ON ENTIRE STOCK
- △ ROHS 2002/95/EC COMPLIANT.
- △ OBSOLETE PARTS: OBSOLETE CIS STREAMLINING PER D.RENAUD/D.SINISI

NO. OF POS.	PART NUMBER	FINISH	Z	DIM X	DIM Y	W REF	DIM U	DIM V	DIM S	DIM T
40	6-1375870-8									
38	6-1375870-7									
36	6-1375870-6									
34	6-1375870-5									
32	6-1375870-4									
30	6-1375870-3									
28	6-1375870-2									
26	6-1375870-1									
24	6-1375870-0									
22	5-1375870-9	△ 2 △ 7 △ 8								
20	5-1375870-8									
18	5-1375870-7									
16	5-1375870-6									
14	5-1375870-5									
12	5-1375870-4									
10	5-1375870-3									
8	5-1375870-2									
6	5-1375870-1									
40	1-1375870-8									
38	1-1375870-7									
36	1-1375870-6									
34	1-1375870-5									
32	1-1375870-4									
30	1-1375870-3									
28	1-1375870-2									
26	1-1375870-1									
24	1-1375870-0									
22	1375870-9	△ 2 △ 3								
20	1375870-8									
18	1375870-7									
16	1375870-6									
14	1375870-5									
12	1375870-4									
10	1375870-3									
8	1375870-2									
6	1375870-1									

THIS DRAWING IS A CONTROLLED DOCUMENT.

DIMENSIONS: mm

TOLERANCES UNLESS OTHERWISE SPECIFIED:

9 PLC	±
5 PLC	±
4 PLC	±
ANGLES	±

MATERIAL: SEE TABLE

FINISH: SEE TABLE

DATE: 07JUN2000

CHK: W. DAVIS

APPD: -

PRODUCT SPEC: 108-1955

APPLICATION SPEC: 114-13051

WEIGHT: -

CUSTOMER DRAWING

NO. OF POS.: N

PART NUMBER: 1375870-8

SCALE: 20:1

SHEET: 1 OF 1

REV: B2

STE TE Connectivity

AMPMODU MICRO INTERCONNECT RECEPTACLE ASSEMBLY

SIZE: A100779C=1375870